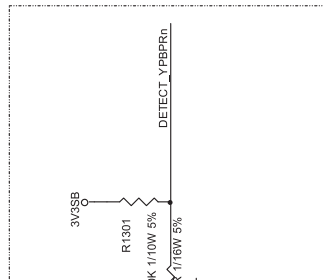


Рис. 4.11. Фрагмент принципиальной схемы платы SSB с интерфейсами слота CI

15	OSCL1	<<<
15	OSDA1	<<<
8	CVBS2P	<<>
8	CVBS3P	<<>
9	HSYNC	<<<
9	VSNC	<<<
9	RP	<<<
9	BP	<<<
9	VGACOM	<<<
9	SOG	<<<
9	VGASDA	<<<
9	VGASCL	<<<
6	AIN_R0	<<<
6	AIN_LO	<<<
15	IF_AGCT	<<<



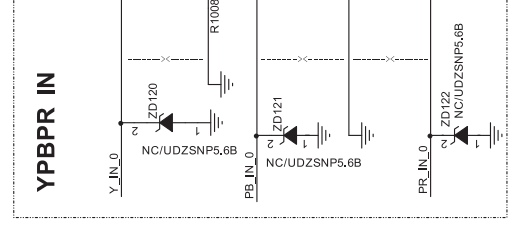
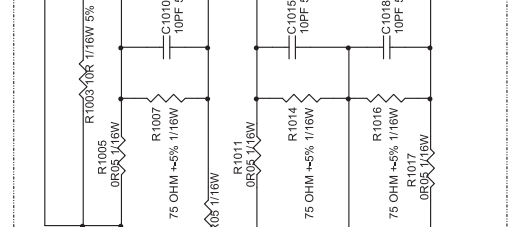
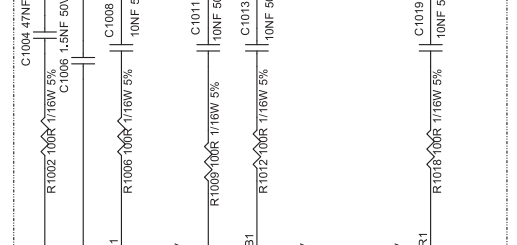
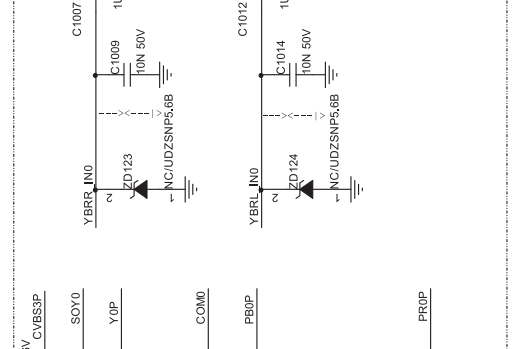
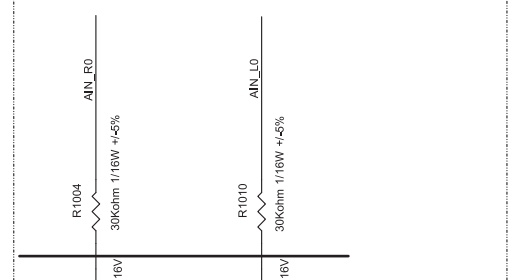
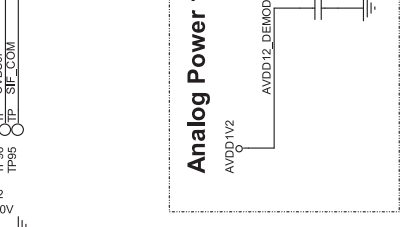
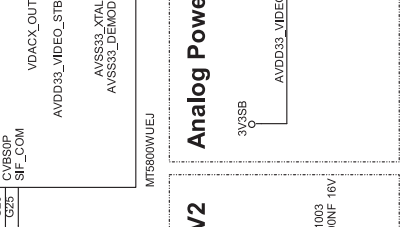
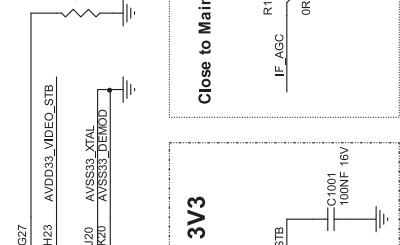
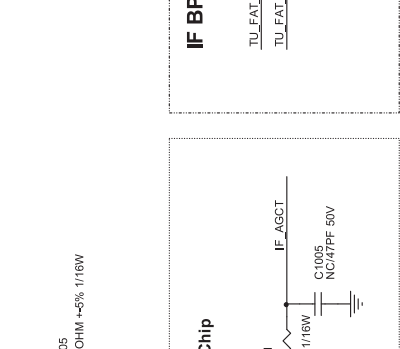
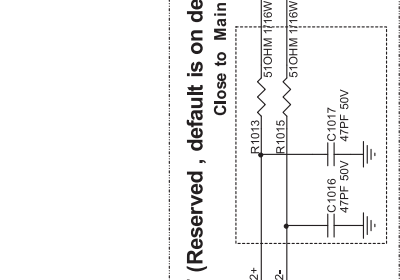
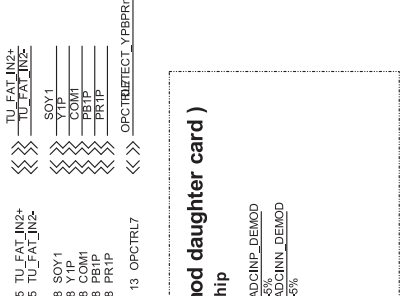
OSCL1	<<<
OSDA1	<<<
CVBS2P	<<>
CVBS3P	<<>
HSYNC	<<<
VSNC	<<<
RP	<<<
BP	<<<
VGACOM	<<<
SOG	<<<
VGASDA	<<<
VGASCL	<<<
AIN_R0	<<<
AIN_LO	<<<
IF_AGCT	<<<

15	TU_FAT_IN2+	<<<
15	TU_FAT_IN2-	<<<
8	SOY1	<<<
8	YTP	<<<
8	COM1	<<<
8	PB1P	<<<
8	PR1P	<<<
13	OPCTRL7	<<<

15	TU_FAT_IN2+	<<<
15	TU_FAT_IN2-	<<<
8	SOY1	<<<
8	YTP	<<<
8	COM1	<<<
8	PB1P	<<<
8	PR1P	<<<
13	OPCTRL7	<<<

15	TU_FAT_IN2+	<<<
15	TU_FAT_IN2-	<<<
8	SOY1	<<<
8	YTP	<<<
8	COM1	<<<
8	PB1P	<<<
8	PR1P	<<<
13	OPCTRL7	<<<

15	TU_FAT_IN2+	<<<
15	TU_FAT_IN2-	<<<
8	SOY1	<<<
8	YTP	<<<
8	COM1	<<<
8	PB1P	<<<
8	PR1P	<<<
13	OPCTRL7	<<<



YPbPr & Audio IN

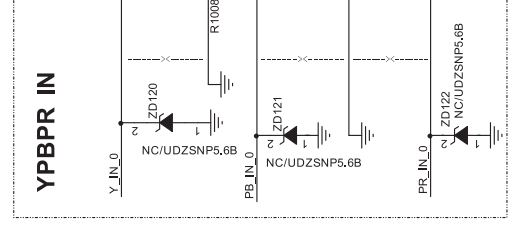
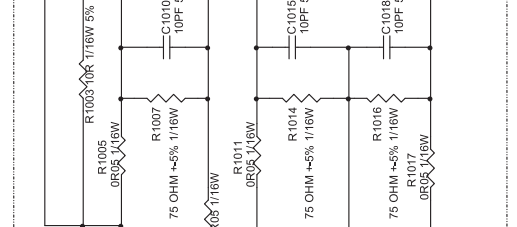
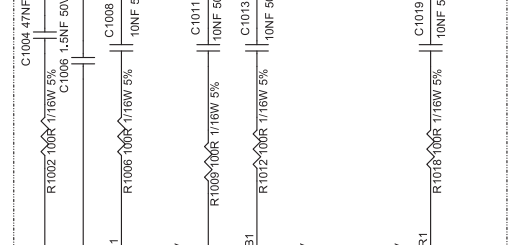
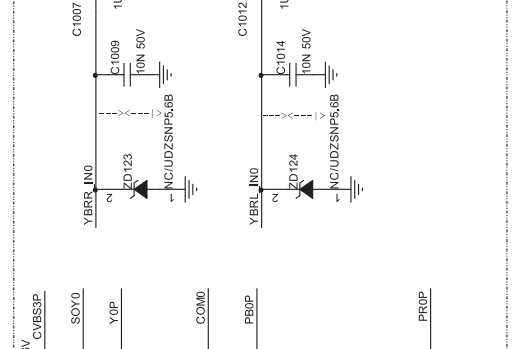
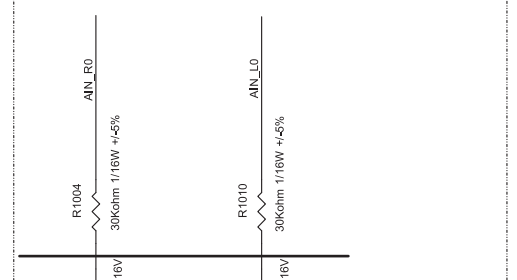
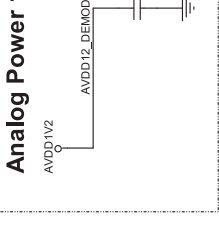
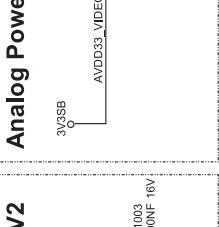
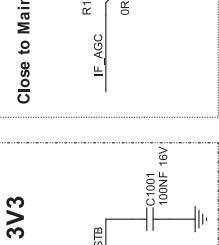
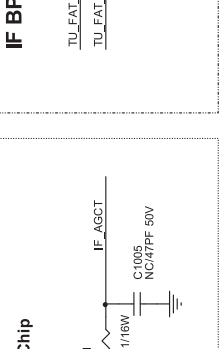
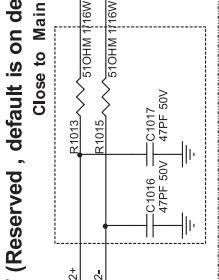
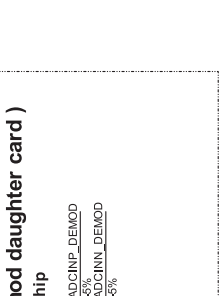
IF BPF (Reserved, default is on demod daughter card)

Analog Power 1V2

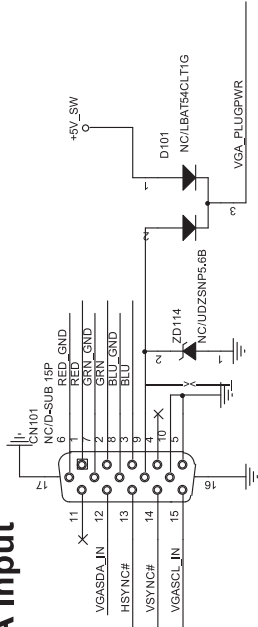
Analog Power 3V3

Analog Power 5V

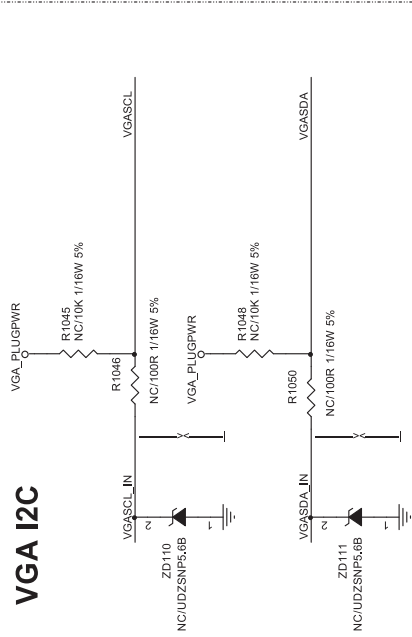
YPbPr IN



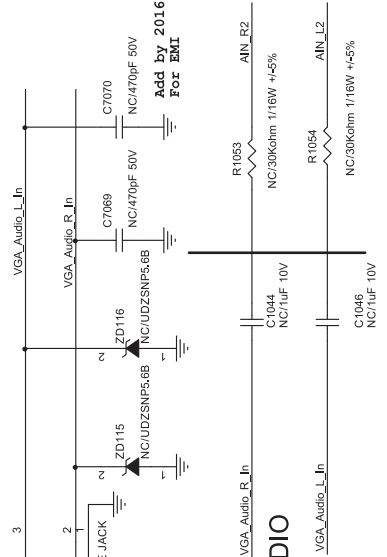
VGA Input



VGA I2C



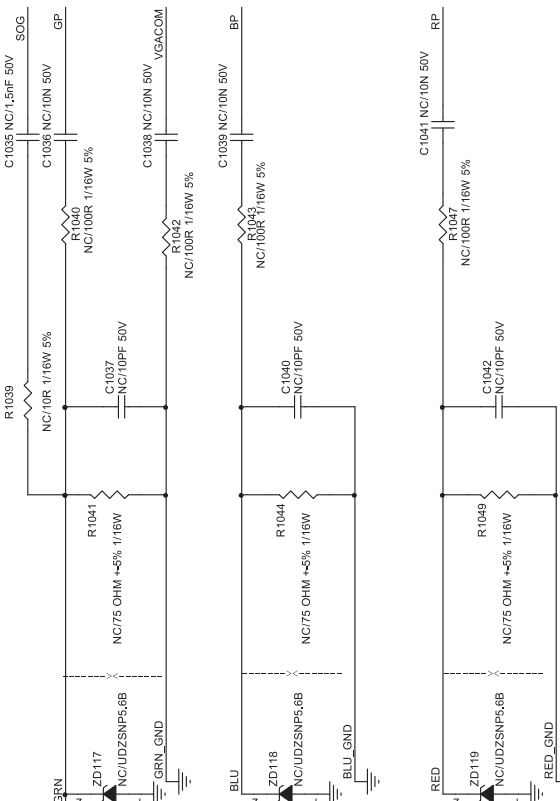
VGA Audio Input



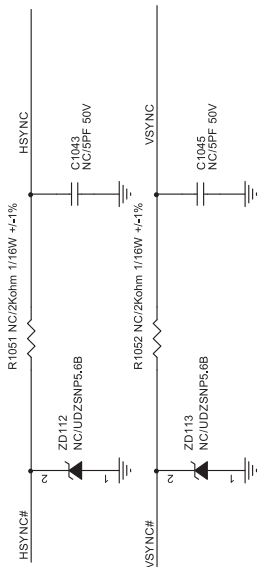
VGA AUDIO

Add by 2016-0304
For BMI

VGA IN

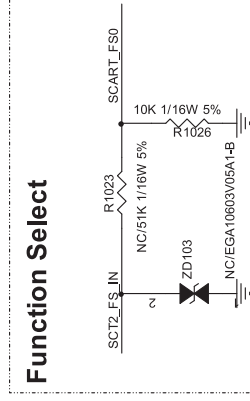
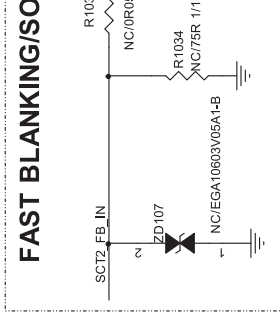
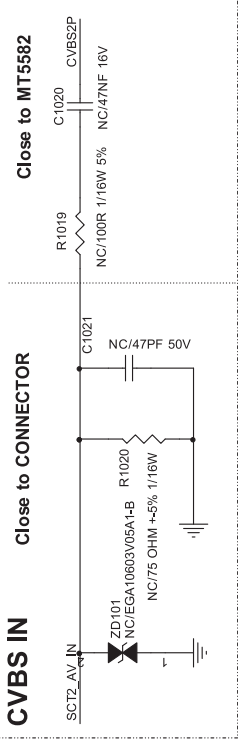
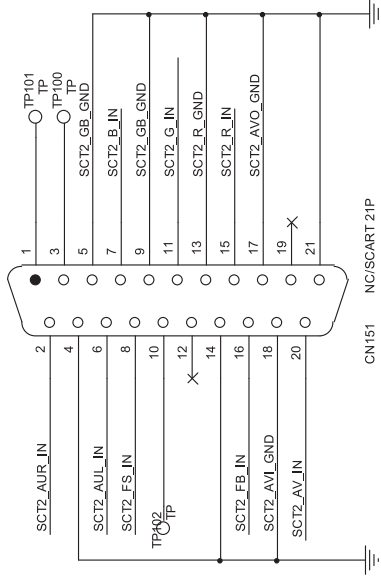


VGA SYNC SLICER

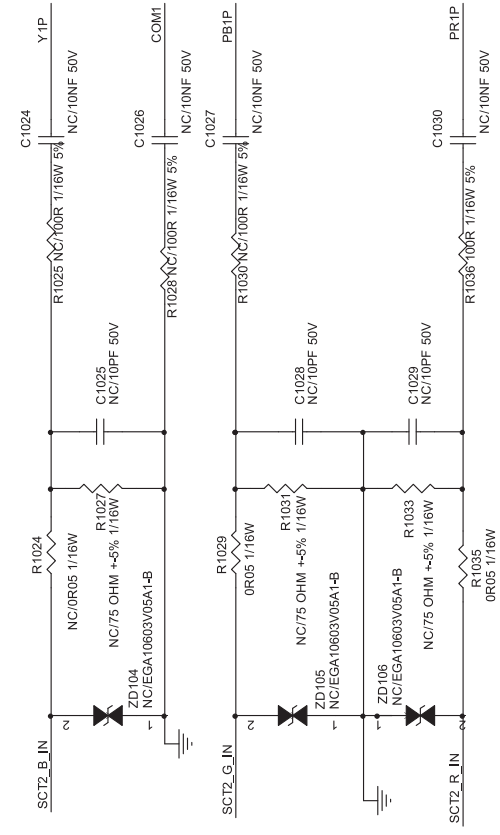


- 6 AN_R2
- 6 AN_L2
- 7 HSYNC
- 7 VSYNC
- 7 RP
- 7 GP
- 7 BP
- 7 VGACOM
- 7 SOG
- 7 VGASDA
- 7 VGASCL

SCART (Half SCART) -- CVBS+SV+RGB SCART NC_2016-0305

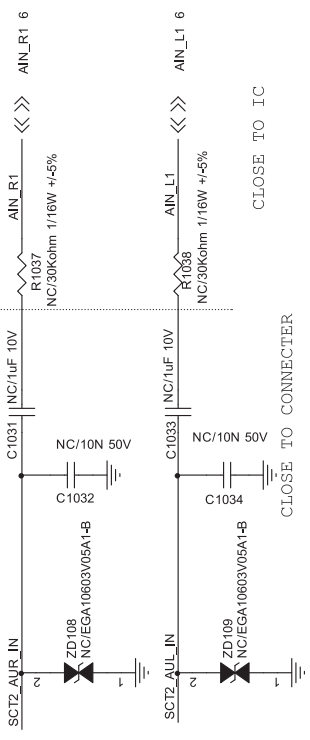


SCART IN



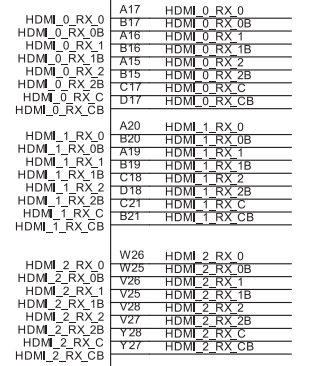
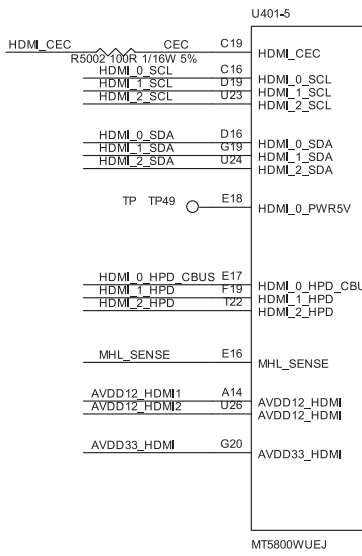
- 7 SOY1
- 7 Y1P
- 7 COM1
- 7 PB1P
- 7 PR1P
- 13 SCART_FS0
- 7 CVBS2P

Audio Input

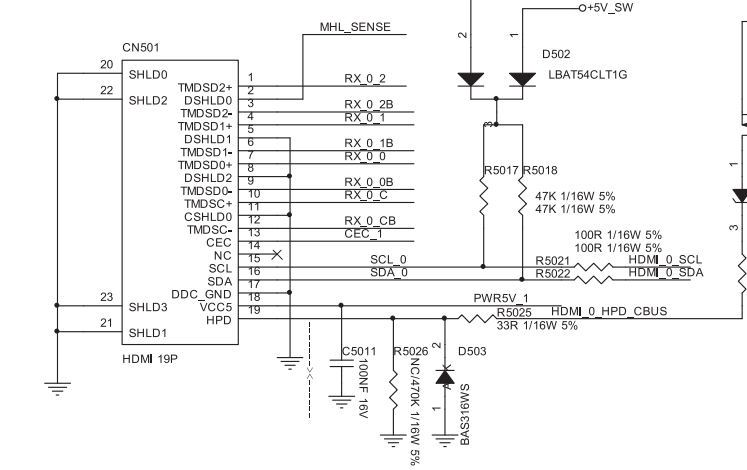


CLOSE TO IC

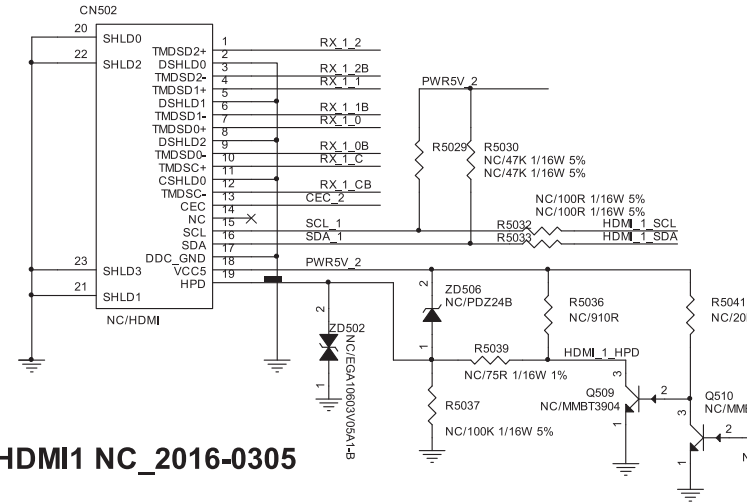
CLOSE TO CONNECTER



HDMI 0 INPUT (MHL) side

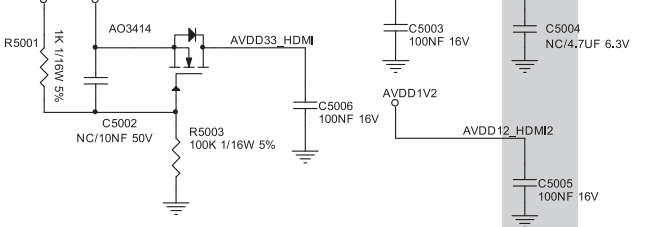


HDMI 1 INPUT Side

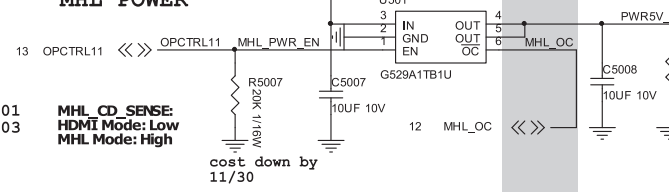


HDMI1 NC_2016-0305

Analog Power



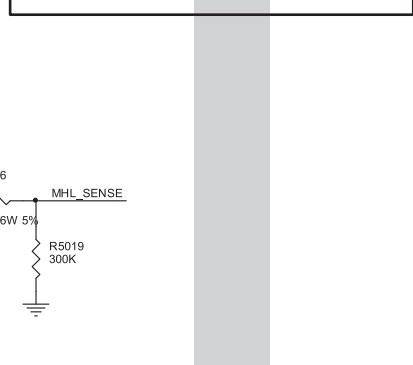
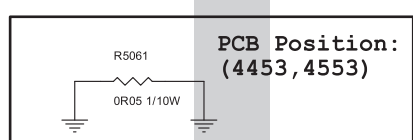
MHL POWER



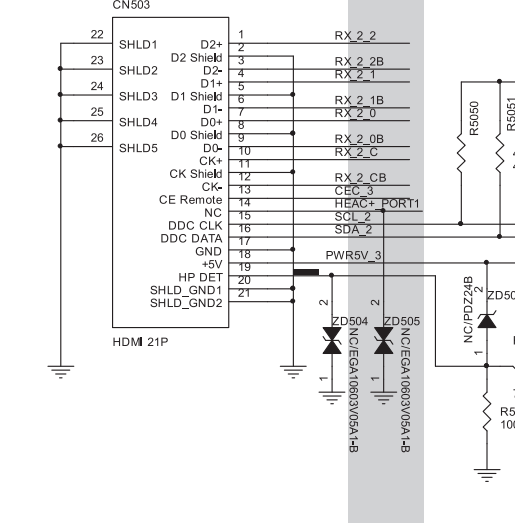
MHL Mode: Low

MHL Mode: High

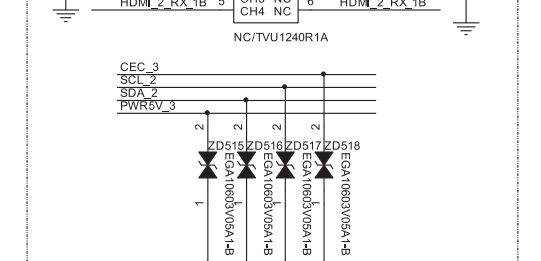
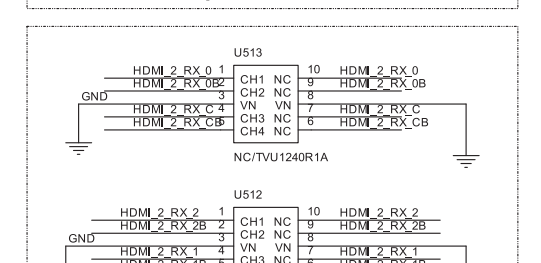
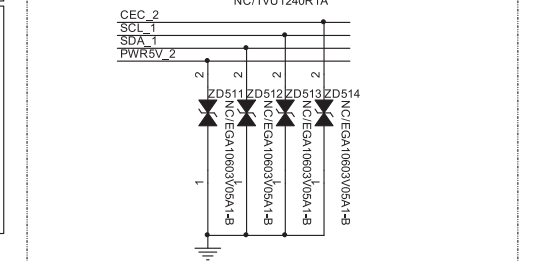
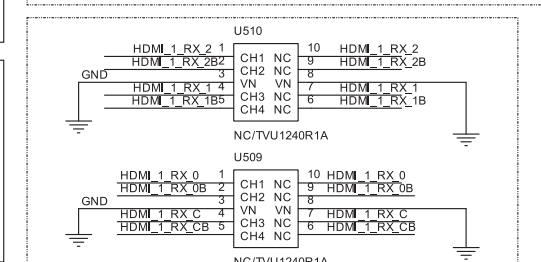
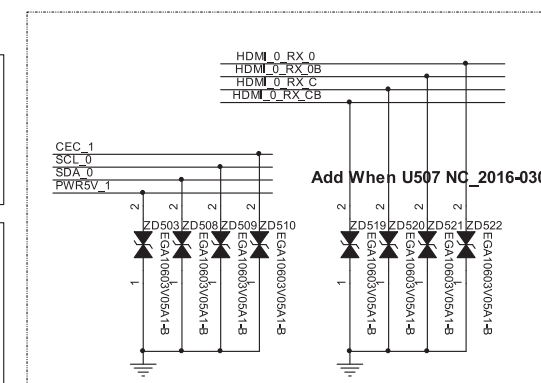
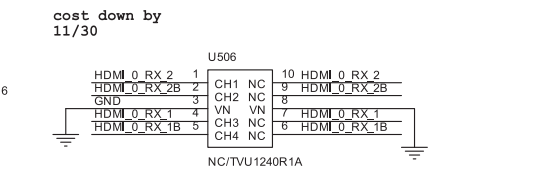
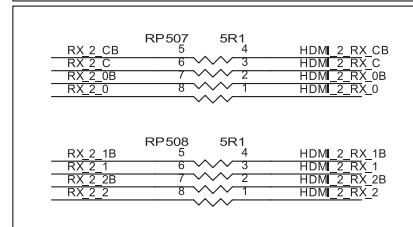
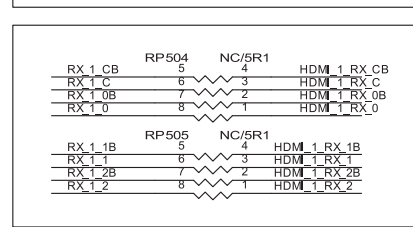
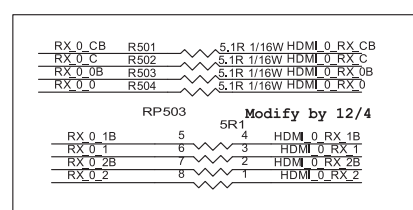
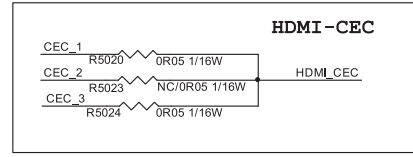
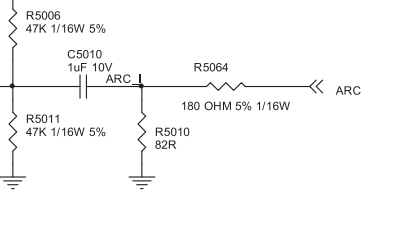
MHL--> PORT 1, CN501
ARC--> PORT 3, CN503



HDMI 2 INPUT (ARC) Back

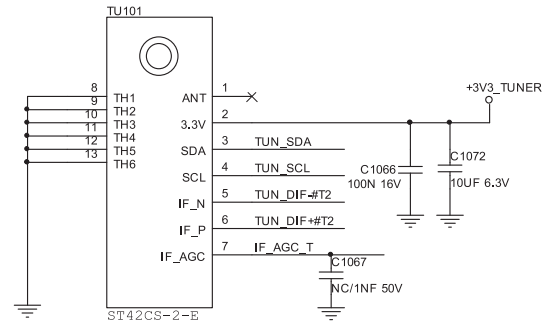


Audio Return Channel (ARC)

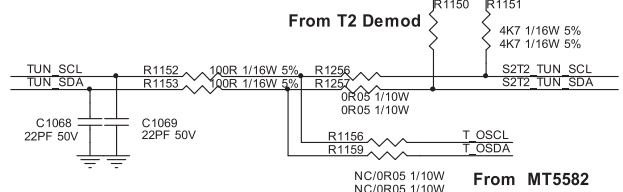


HDMI2 NC_2016-0305

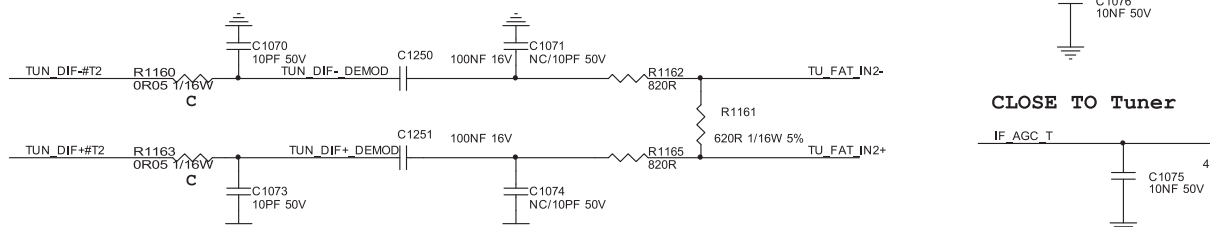
T2 TUNER



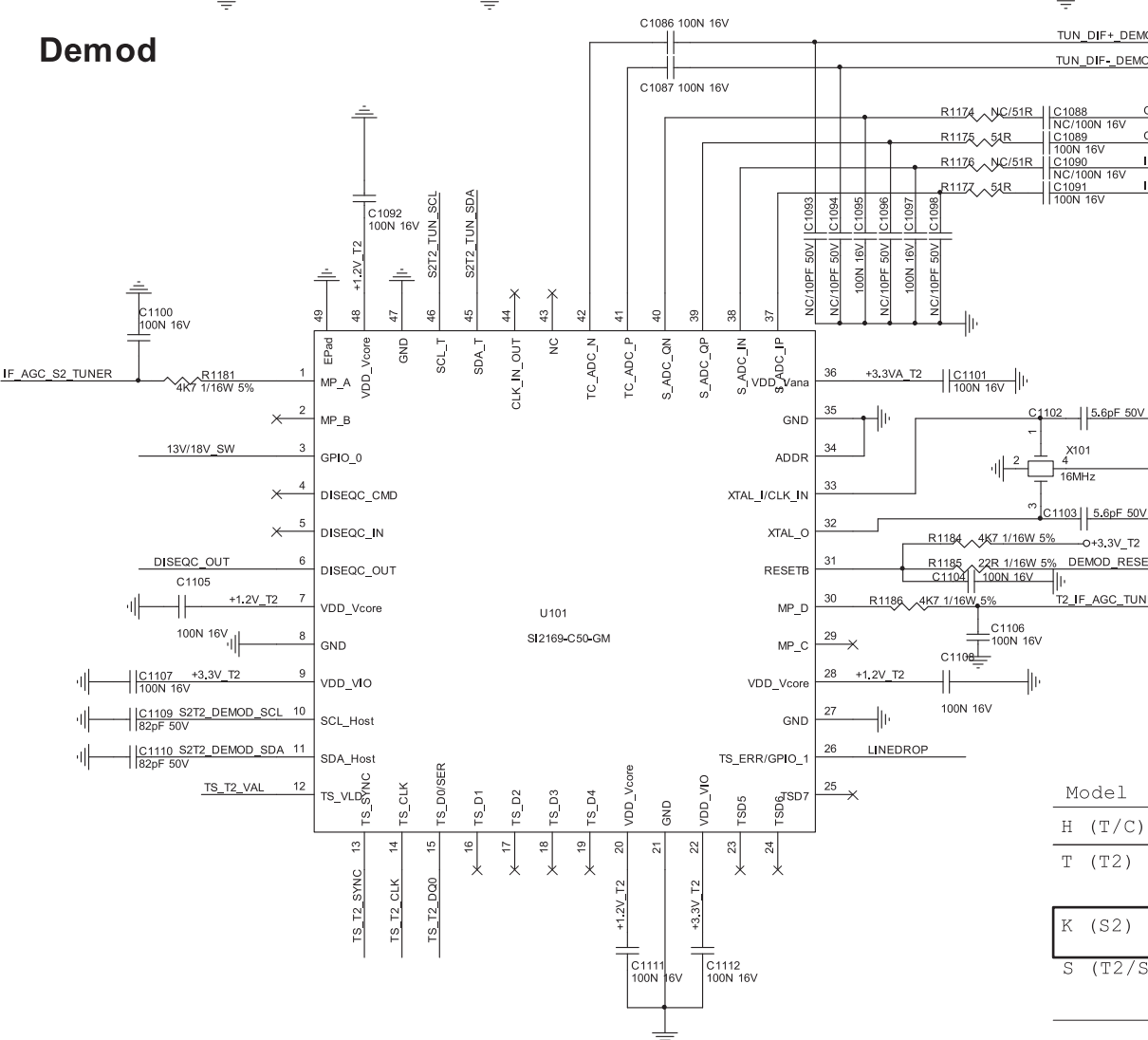
TUNER I2C



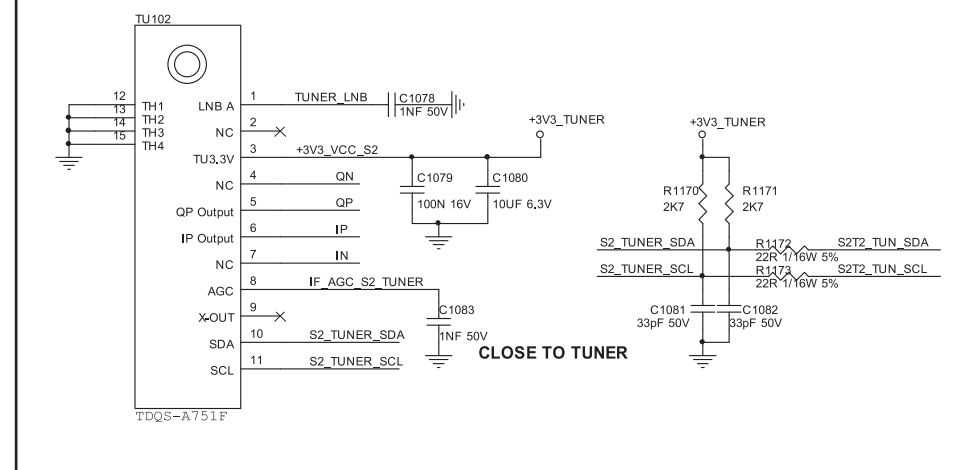
Write:0xC0
Read:0xC1



Demod



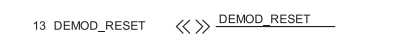
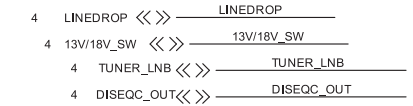
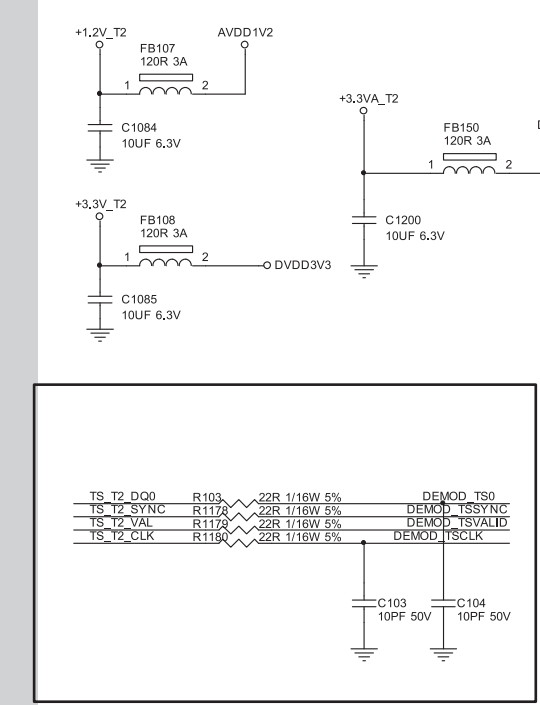
S2 TUNER LGTuner with DVB-S/S2 K model : Samsung DNB02112IH2



From MT5582
CLOSE TO MT5582

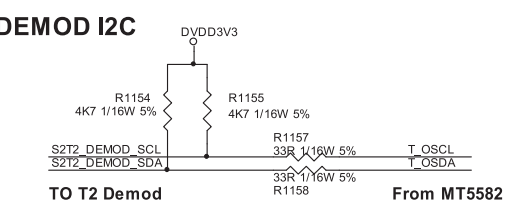
From T2 demod
CLOSE TO Tuner

DEMOD POWER



Model	Demod	Tuner
H (T/C)	NC	TU101
T (T2)	T2 Si2168 356G0575048610	TU101
K (S2)	Si2166	TU101/TU102
S (T2/S2)	Si2169 356G0575048613	TU101/TU102

T2 DEMOD I2C



TO T2 Demod From MT5582

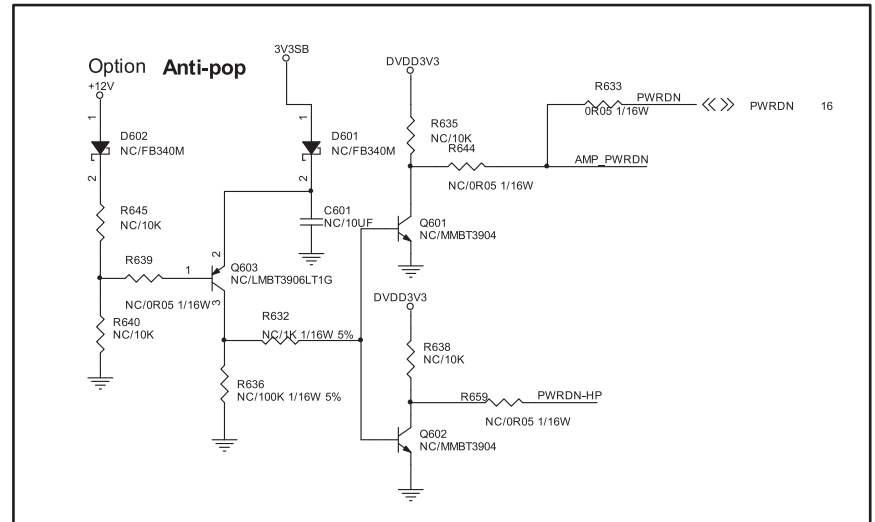
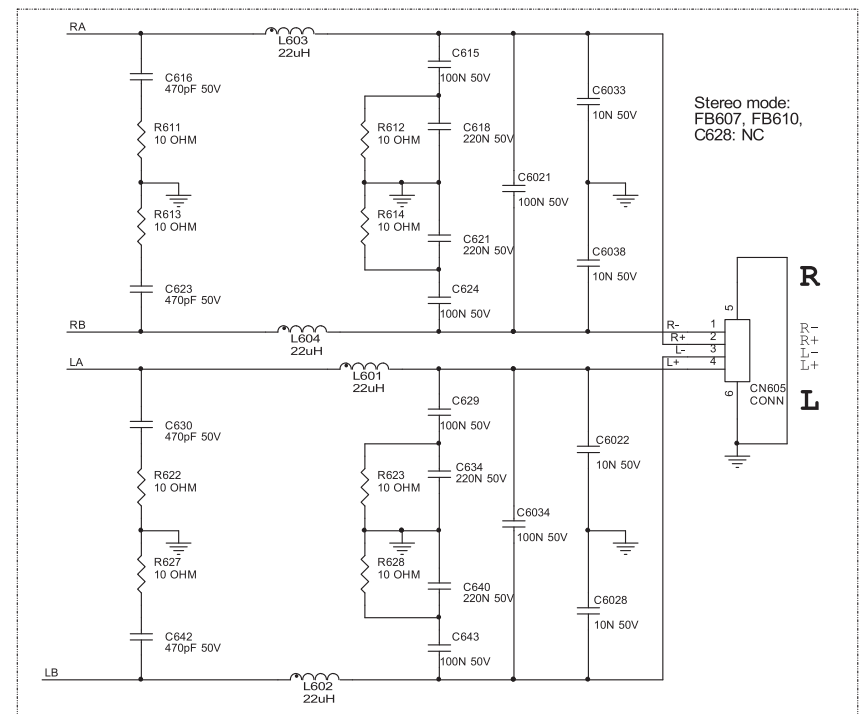
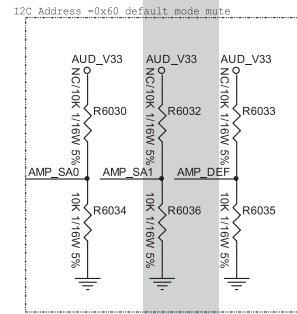
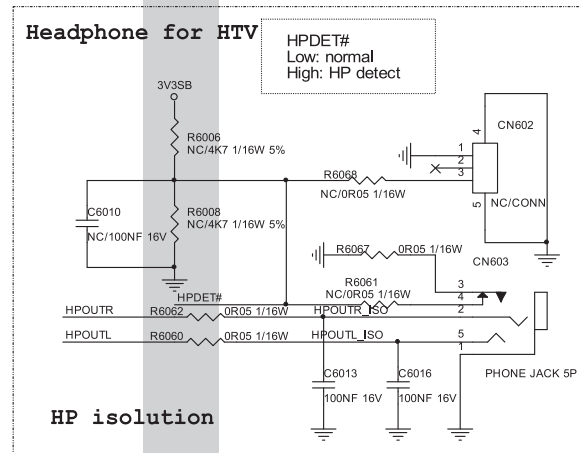
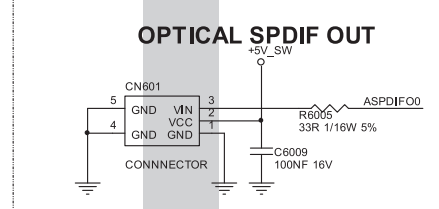
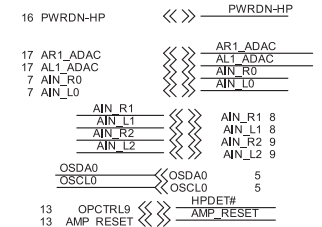
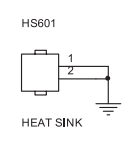
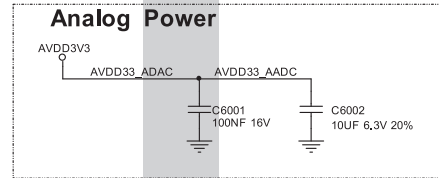
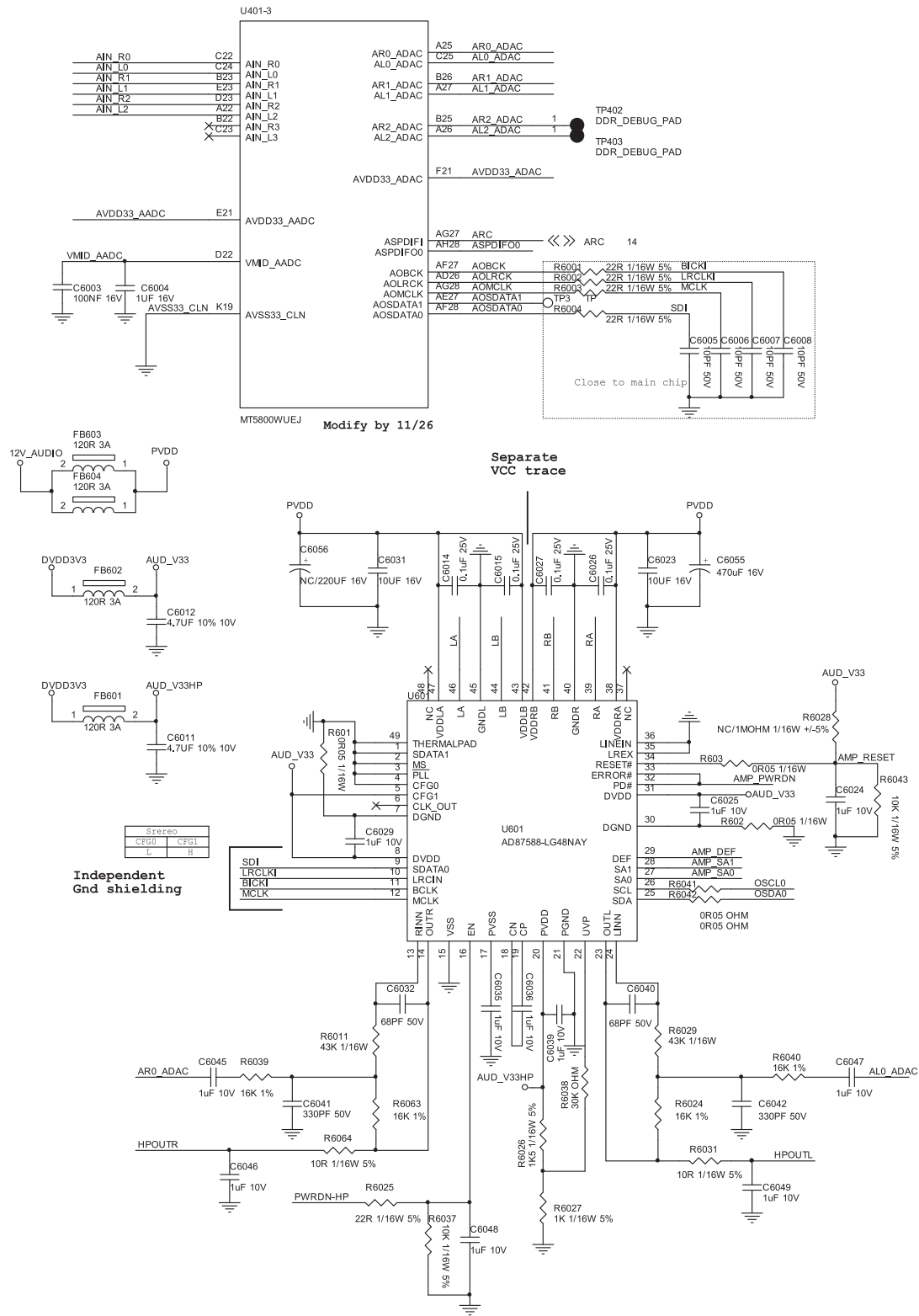


Рис. 4.19. Фрагмент принципиальной схемы платы SSB с каналом звука